

CLEVER



INDEX

1. Code Registry
2. Use
3. Technical Specification

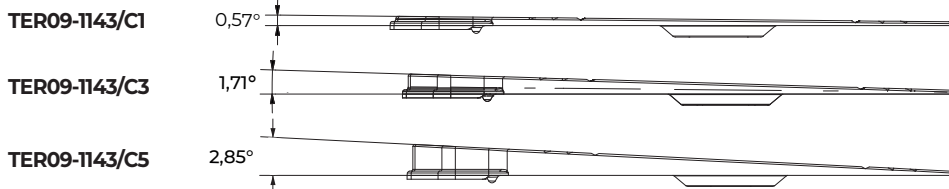
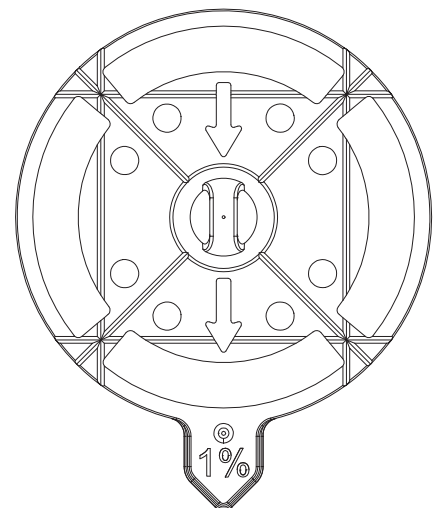
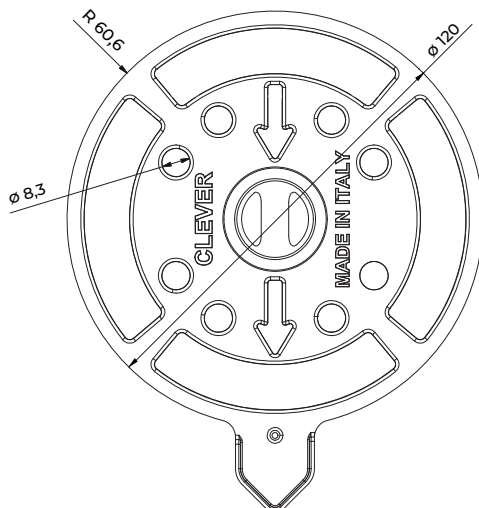
1. CODE REGISTRY

Code	Description	Dimension (mm)	Weight	Bag / Pkg. / Pallet
TER09-1143/C1	Clever - 1% slope compensation disc	ø 120	0,011 kg/pc.	30pcs/bag - 360pcs/box - 32.4000 pcs/pallet
TER09-1143/C3	Clever - 3% slope compensation disc	ø 120	0,019 kg/pc.	30pcs/bag - 360pcs/box - 32.4000 pcs/pallet
TER09-1143/C5	Clever - 5% slope compensation disc	ø 120	0,027 kg/pc.	30pcs/bag - 180pcs/box - 16.2000 pcs/pallet

MATERIAL

Made of thermoplastic rubber.

TER09-1143/C1 - /C3 - /C5



CLEVER

2. USE

Clever allows the compensation of slopes from 1% up to 5%.
 Just put it on the head of the support and twist it for final regulation.
 Clever guarantees to have a perfectly flat surface and to reduce walkover noise.



3. TECHNICAL SPECIFICATION

Specification	Description	Unity	Price
Dak.O.TER09.1143/Cx	Supply and installation to Leveling rubber disc for sloping compensation. Diameter 120 mm, available in 3 different sizes for 1%, 3% and 5% slopes. Made of thermoplastic rubber. Clever allows the compensation of slopes from 1% up to 5%. Just put it on the head of the support and twist it for final regulation. Clever guarantees to have a perfectly flat surface and to reduce walkover noise.		
Dak.O.TER09.1143/C1	Clever - slope 1 %.....	pc.	-
Dak.O.TER09.1143/C3	Clever - slope 3 %.....	pc.	-
Dak.O.TER09.1143/C5	Clever - slope 5 %.....	pc.	-