

# SPACER FOR DECKING



## INDICE

1. Code registry
2. Description
3. Use
4. Technical specification

## 1. CODE REGISTRY

Code	Description	Measure (mm)	Weight (kg)	Pkg. / Pallet
TER09-1159/4	Spacer for decking 4 mm	88 x 25 sp. 4	0,005	200 pc./28.800 pcs.
TER09-1159/7	Spacer for decking 7 mm	88 x 25 sp. 7	0,005	200 pc./28.800 pcs.

**MATERIAL** Made of PP (polypropylene)

## 2. DESCRIPTION

Decking Spacer in PP (polypropylene) for external decking for 4 and 7mm joints.

The product guarantees a precise joint and an optimal management of the expansion of the decking boards. Moreover, thanks to the 6mm thickness of the base, the spacer keeps a continuous ventilation between the substructure and the boards, in order to eliminate any accumulation of humidity.

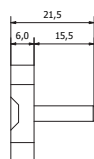
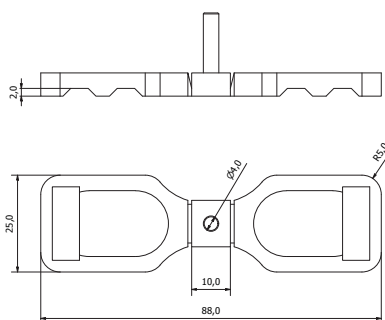
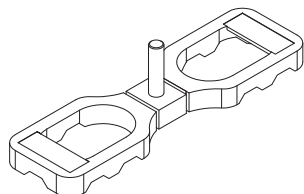
It is recommended to choose the thickness of the joint according to the type of finish to be installed:

7 mm spacer: for woods with wood moisture content <20%;

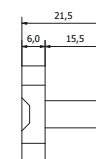
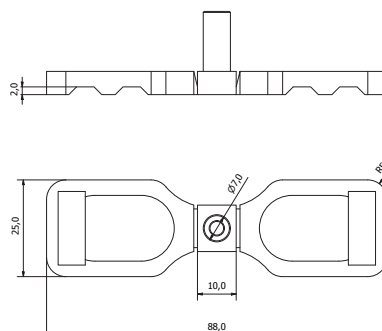
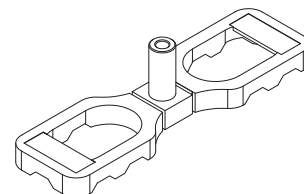
4 mm spacer: for non-dried tropical woods with wood moisture content > 20% and for thermo-treated woods.

Requirement: about 14 pieces / m<sup>2</sup>

Spacer for Decking  
Thickness 4 mm  
TER09-1159/4



Spacer for Decking  
Thickness 7 mm  
TER09-1159/7



# SPACER FOR DECKING

## 3. USE

Used for an optimal management of the expansion of the decking board.

## 4. TECHNICAL SPECIFICATION

Item	Description	Unit	Price
<b>Dak.O.TER09.1159/x</b>	Supply and installation of spacer for outdoor decking flooring with thickness of 4 and 7 mm, thickness 6 mm Made of PP (polypropylene)	pc.	-
<b>Dak.O.TER09.1159/4</b>	Spacer for Decking th. 4mm.....	pc.	-
<b>Dak.O.TER09.1159/7</b>	Spacer for Decking th. 4mm.....	pc.	-