

ARKIMEDE 18 - PAVING



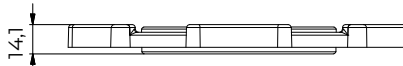
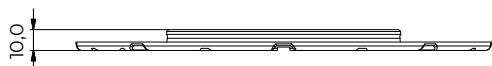
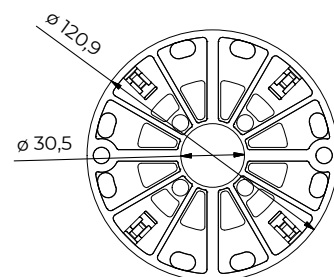
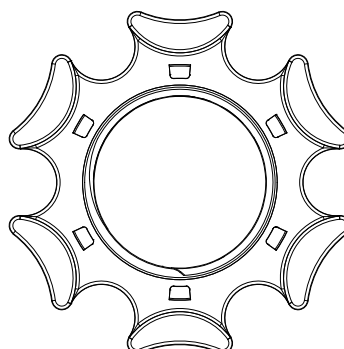
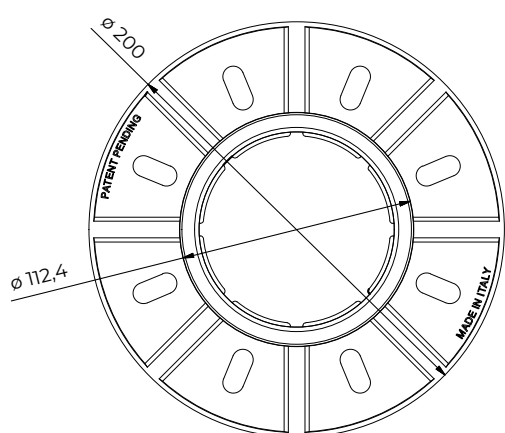
INDEX

1. Code Registry
2. Description
3. Use
4. Fields of use
5. Load test
6. Technical specification

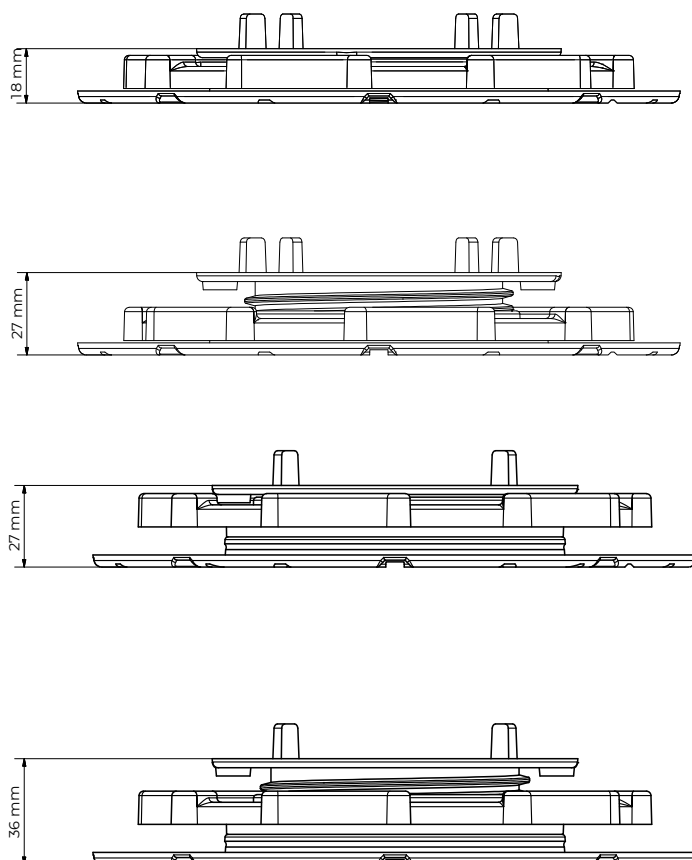
1. CODE REGISTRY

| Code | Description | Dimension (mm) | Weight (kg) | Pkg. / Pallet |
|-----------------|--|----------------|-------------|--------------------|
| TER09-1145/4A2M | ARKIMEDE 18 - Spacer tabs thickness 2 mm h 10 mm | from 18 to 36 | 0,154 | 30 pcs / 1.350 pcs |
| TER09-1145/4A4M | ARKIMEDE 18 - Spacer tabs thickness 2 mm h 10 mm | from 18 to 36 | 0,154 | 30 pcs / 1.350 pcs |

MATERIAL Made of PP (polypropylene).



ARKIMEDE 18 - PAVING



2. DESCRIPTION

ARKIMEDE 18 support with adjustable height starting from 18 mm.

Base laying surface: 314 cm².

Head diameter: 120 mm with a laying surface of 113 cm².

Available versions:

- Box composed by the base, rotating nut and head with 4 spacer tabs of 2 mm thickness and **9 mm extension**.

- Box composed by the base, rotating nut and head with 4 spacer tabs of 4 mm thickness and **9 mm extension**.

The base allows the correct water drainage.

3. USE

Used in external areas, terraces, pavements.

Operating temperature: from -40°C at +80°C

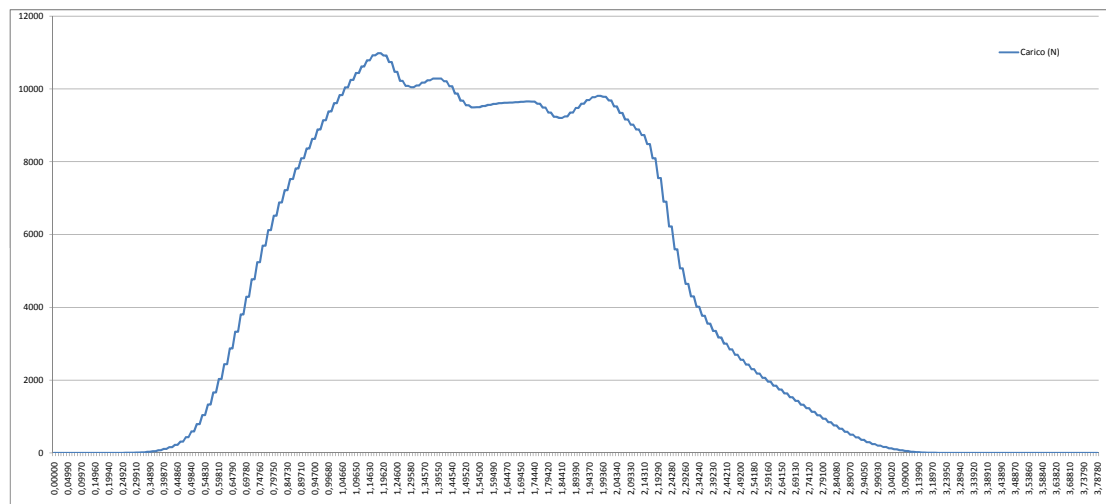
4. FIELDS OF USE

Waterproof membrane, hard insulating panels, screeds and solid and compact pose plans

ARKIMEDE 18 - PAVING

5. LOAD TEST

| | Maximum Load at yield [kN] |
|----------------------|----------------------------|
| Test 1 | 10,90 |
| Test 2 | 10,70 |
| Test 3 | 11,60 |
| Average Value | 11,06 |



6. TECHNICAL SPECIFICATION

| Specification | Description | Unity | Price |
|------------------------------|---|-------|-------|
| Dak.O.TER09.T145/4AxM | Supply and installation of ARKIMEDE NANO support with adjustable height starting from 18 mm to a maximum of 36 mm. Base laying surface: 314 cmq. Head diameter: 120 mm with a laying surface of 113 cmq. Available versions: • Box composed by the base, rotating nut and head with 4 spacer tabs of 2 mm thickness and 9 mm extension. • Box composed by the base, rotating nut and head with 4 spacer tabs of 4 mm thickness and 9 mm extension. The base allows the correct water drainage. Made of PP (polypropylene). Used in external areas, terraces, pavements. | pcs | - |
| Dak.O.TER09.T145/4A2M | 4 tabs - 2 mm..... | pcs | - |
| Dak.O.TER09.T145/4A4M | 4 tabs - 4 mm..... | pcs | - |